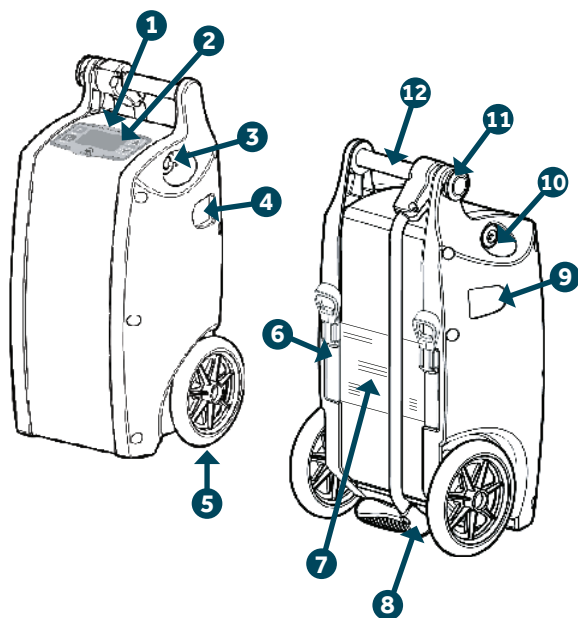


Quick Reference Guide

This guide is intended to be a quick reference only. For complete user instructions, please refer to the user manual.

- **DO NOT** smoke when using this device. Keep all matches, lit cigarettes, candles and other sources of ignition at least 10 feet from the device.

- Place the Oxlife **INDEPENDENCE**® in a well ventilated area free of smoke and away from direct sunlight; ensure that air intake and exhaust ports are not obstructed.



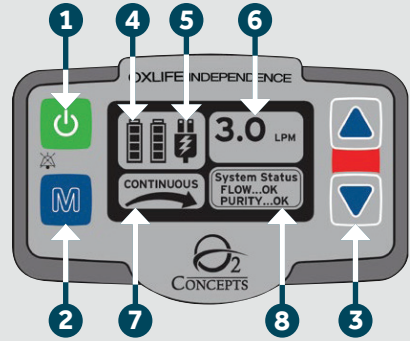
Feature Identification

- 1 Control Panel
- 2 LCD Display
- 3 Oxygen Outlet Port
- 4 Exhaust Port
- 5 Wheels
- 6 Rechargeable Battery Slots
- 7 FAA Approval Identification
- 8 Pull Handle
- 9 Air Intake Port Filter
- 10 External Power Input
- 11 Handle Lock/Release Button
- 12 Carry Handle

To view a brief, introductory video on your device and access the user manual, please visit: o2-concepts.com/products

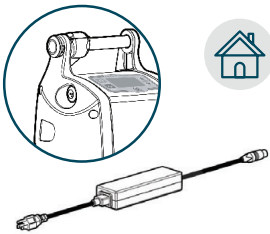
Control Panel

- 1 Press and hold the **power** button to turn the device on/off.
- 2 Press the **(M) Button** to select continuous or pulse flow mode.
- 3 Press the **increase or decrease buttons** to select the correct flow rate as prescribed by your physician or medical provider.
- 4 Battery Status
- 5 External Power + Battery Charge Indication
- 6 Device Flow Setting



- 7 Mode Setting + Breath Detection
- 8 System Status

External Power



AC Power Supply

To use the AC power supply, ensure the cord is firmly seated into the brick and connect the power supply to Oxlife **INDEPENDENCE** and wall outlet. The external power source icon will be displayed on the control panel.



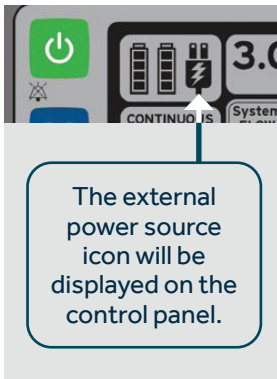
DC Power Cord

The DC power cord powers the **INDEPENDENCE** from a vehicle's 12/15 volt DC outlet in all settings. However, DC power is not sufficient to charge batteries at all settings. **Charging will NOT occur on DC power at settings higher than continuous 2.0 or pulse 4.0.**

To use DC power, connect the power cord to the Oxlife **INDEPENDENCE**; then connect the power cord to a DC power outlet. The external power source icon will be displayed on the control panel. Use the DC outlet located in the closest proximity to the engine.

Always have the vehicle's engine running before plugging in your Oxlife INDEPENDENCE.

DC power can vary among different types of vehicles. In some instances, in order to operate the device on DC power at higher continuous settings, it may be necessary to install an inverter in the vehicle.

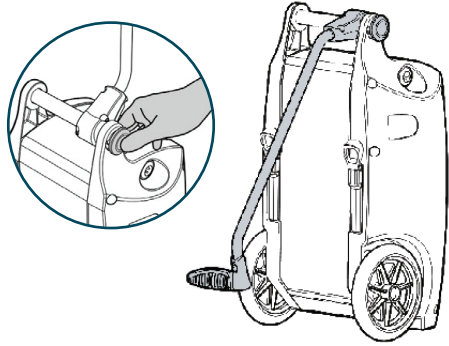


The external power source icon will be displayed on the control panel.

Handle Operation

Open/Close

- 1 Press and hold button on the side of the carry handle to unlock handle.
- 2 Begin rotating pull handle and then release the button; handle will re-lock in open/close position automatically.



Power Management

Battery charge status is displayed in the upper left portion of the control panel.

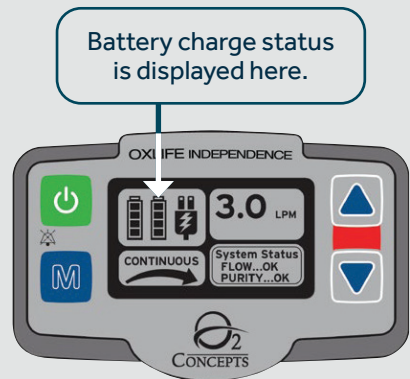
Each bar indicates a 25% charge.

Solid bar indicates a 100% charge.

Lightning bolt indicates battery is charging.

The Oxlife **INDEPENDENCE** may be powered using the battery, AC power supply, or DC power cord. Using the AC or DC power whenever possible will preserve battery life.

You will achieve longer battery run time when using your Oxlife **INDEPENDENCE** in pulse flow mode. **However, pulse flow mode should only be used under the direction of your physician.**

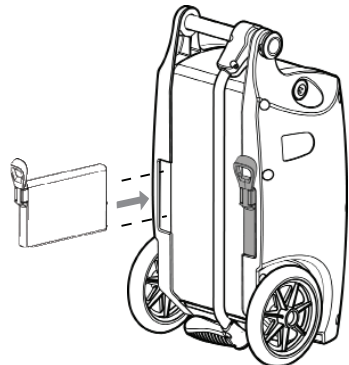


Installing/Removing Battery

To install battery into the back of the device, hold the battery as shown with the connection to the bottom and the tab on top.

Slide battery into the back of device and press to engage; battery will drop down slightly and click into position.

To remove battery, pull the tab out slightly to release it from the bay, then pull up and out on the tab to slide the battery out.



Typical Battery Operating Times

FLOW RATE SETTING	CONTINUOUS FLOW		PULSE FLOW	
	1 BATTERY	2 BATTERIES	1 BATTERY	2 BATTERIES
0.5	2 hr 53 min	5 hr 45 min	3 hr 8 min	6 hr 15 min
1.0	2 hr 38 min	5 hr 15 min	3 hr	6 hr
1.5	1 hr 45 min	3 hr 30 min	3 hr	6 hr
2.0	1 hr 15 min	2 hr 30 min	2 hr 53 min	5 hr 45 min
2.5	1 hr	2 hr	2 hr 53 min	4 hr 45 min
3.0	45 min	1 hr 30 min	2 hr	4 hr
3.5	Times shown are based upon 20 breaths per minute		1 hr 45 min	3 hr 30 min
4.0			1 hr 30 min	3 hr
4.5			1 hr 15 min	2 hr 30 min
5.0			1 hr 8 min	2 hr 15 min
5.5			1 hr	2 hr
6.0			53 min	1 hr 45 min

Battery operating time will degrade with battery age, number of charge cycles and operating environment.

Cleaning the Air Inlet Filter

It is recommended you clean the air inlet filter weekly following these directions:

- 1 Remove the air inlet filter.
- 2 Wash the filter under warm running tap water using a mild detergent.
- 3 Rinse thoroughly.
- 4 Squeeze out excess water, blot with paper towel and allow to dry completely.
- 5 Reinsert into the device. Never use your Oxlife **INDEPENDENCE** without an air inlet filter installed.

